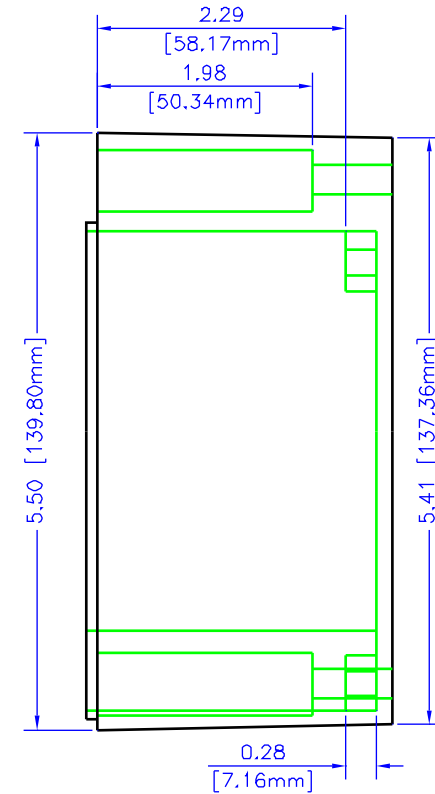
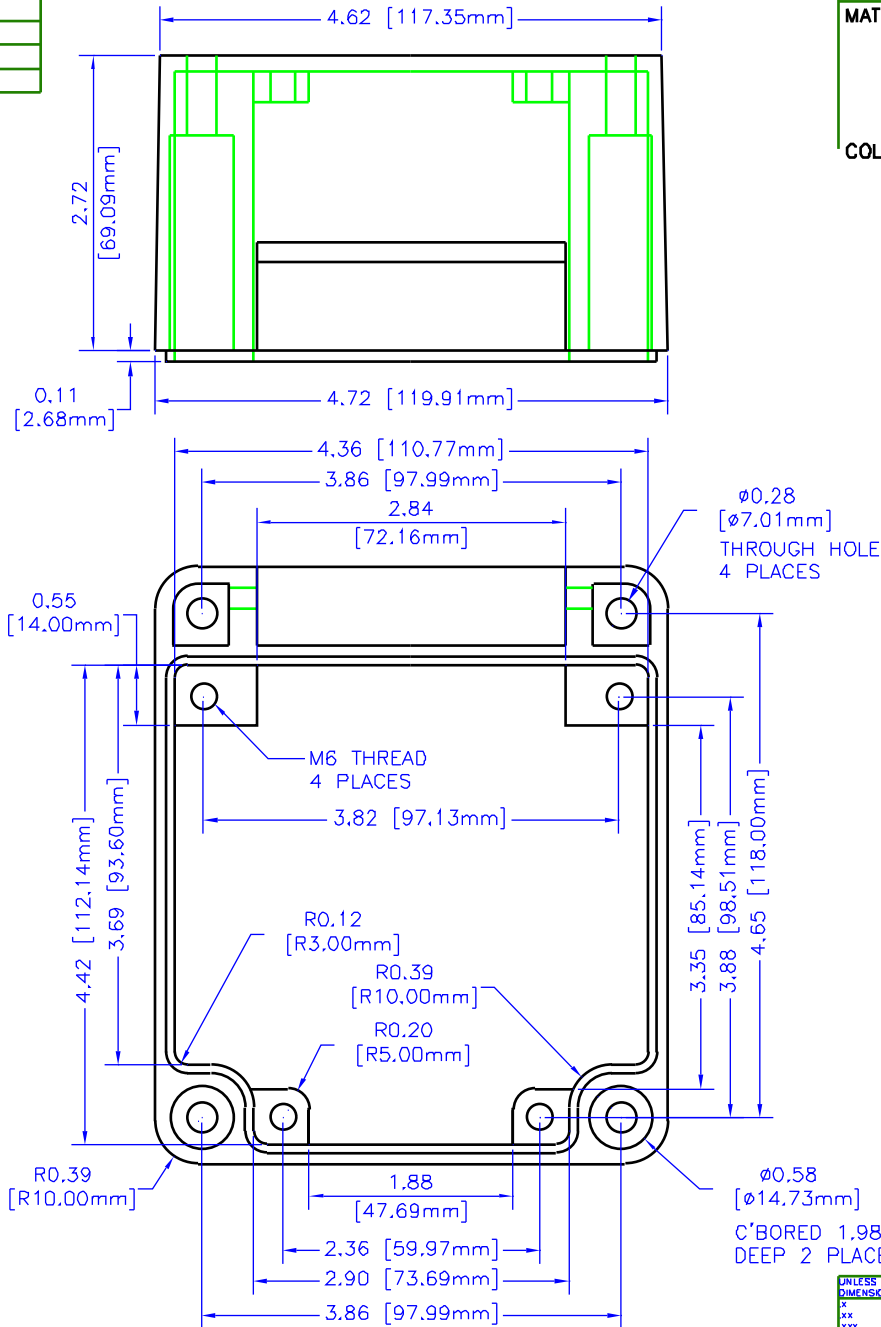


REV	DESCRIPTION	DATE



NOTES

MATERIAL TWO PIECE MOLDED FIBERGLASS REINFORCED POLYESTER CONSTRUCTION, COMES WITH HINGED COVER WINDOW, RECESSED NEOPRENE GASKET WITH TONGUE AND GROVE CONSTRUCTION, THREADED STAINLESS STEEL INSERTS PROVIDED FOR INTERNAL MOUNTING.

COLORS LIGHT GRAY (RAL 7032)

BOX VIEW

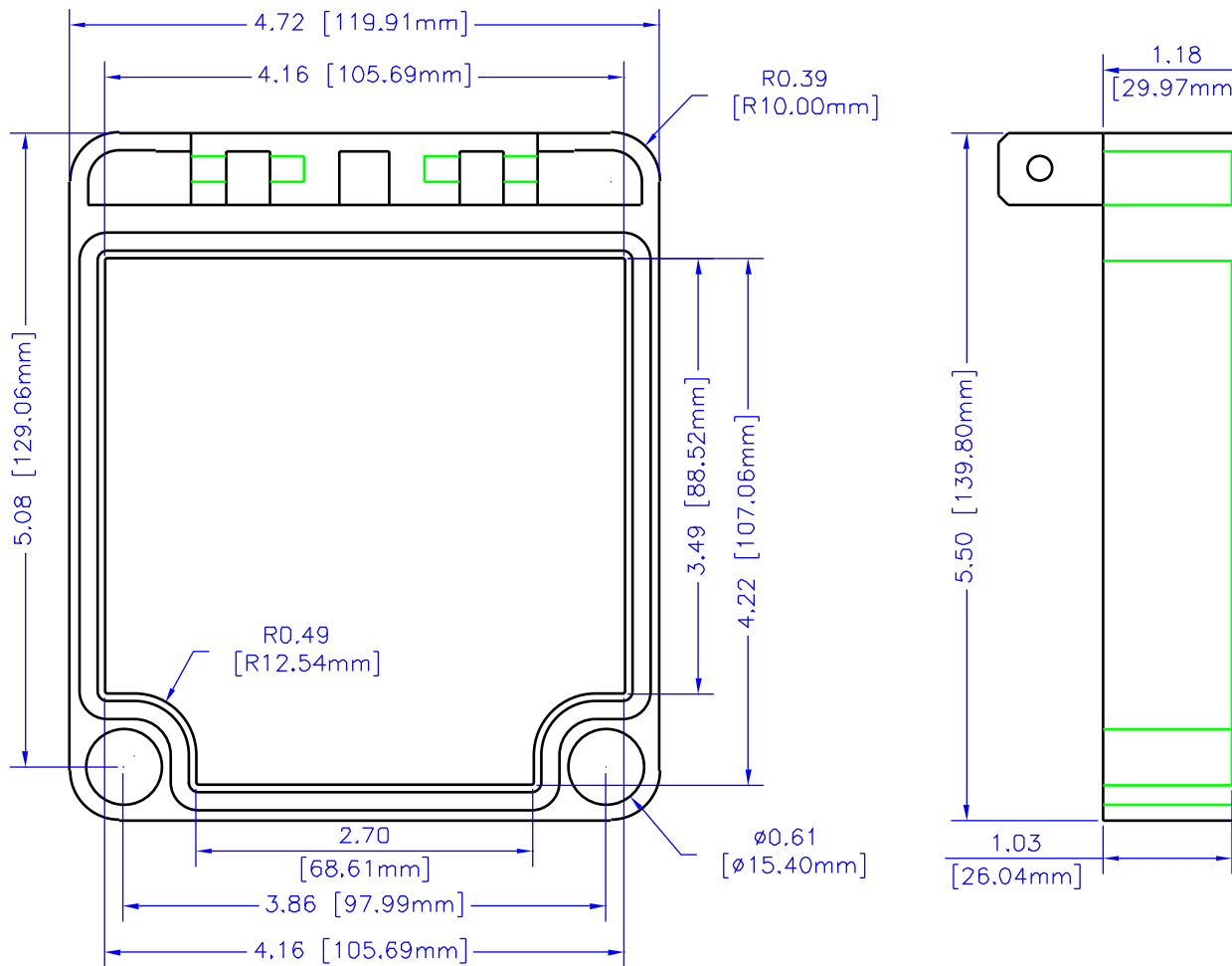
UNLESS OTHERWISE SPECIFIED DIMENSIONS ARE IN INCHES
 X +/- .1
 XX +/- .02
 XXX +/- .015
 SLITS +/- .000
 ANGLES +/- .5 DEG
 FINISHES
 ADDITIONAL CLEARANCE PROVISIONS APPLY TO THE MATERIAL ON THIS DRAWING. IT IS INTENDED TO BE USED AS A REFERENCE FOR ENGINEERING INFORMATION ONLY. THIS INFORMATION MAY NOT BE USED TO MANUFACTURE PRODUCT WITHOUT WRITTEN PERMISSION FROM HAMMOND MANUFACTURING.



**HAMMOND
MANUFACTURING**

WEB: WWW.HAMMONDMFG.COM

TITLE	
HAMMOND R130 SERIES POLYESTER ENCLOSURE	
DRAWN BY	MJM
DATE	12/08/01
SCALE	PAGE 1 OF 2
PART NUMBER	R130-120-000



LID VIEW

UNLESS OTHERWISE SPECIFIED
DIMENSIONS ARE IN INCHES

x	+/- .1
xx	+/- .05
xxx	+/- .015
CLTS	+/- .005
ANGLES	+/- .5 DEG

NOTES:
HAMMOND CLAIMS PROPRIETARY RIGHTS TO THE MARKING ON THIS DRAWING. IT IS INTENDED TO BE USED AS A REFERENCE FOR IDENTIFICATION PURPOSES ONLY. THIS INFORMATION MAY NOT BE USED TO MANUFACTURE PRODUCTS WITHOUT WRITTEN PERMISSION FROM HAMMOND MANUFACTURING.



**HAMMOND
MANUFACTURING**

WEB: WWW.HAMMONDMFG.COM

TITLE	
HAMMOND R130 SERIES POLYESTER ENCLOSURE	
DRAWN BY	DATE
MJM	12/08/01
SCALE	PAGE
	2 OF 2
PART NUMBER	
R130-120-000	